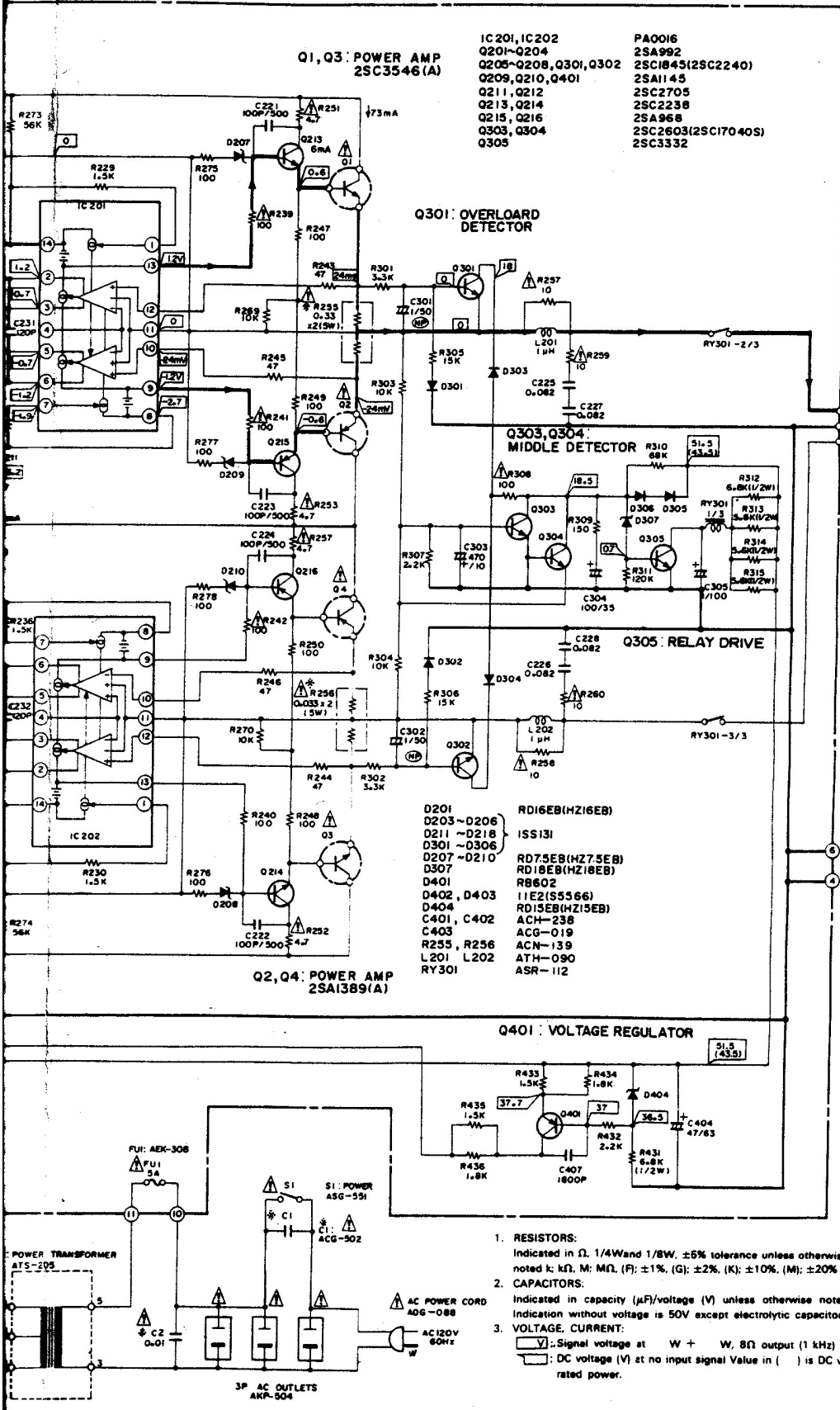
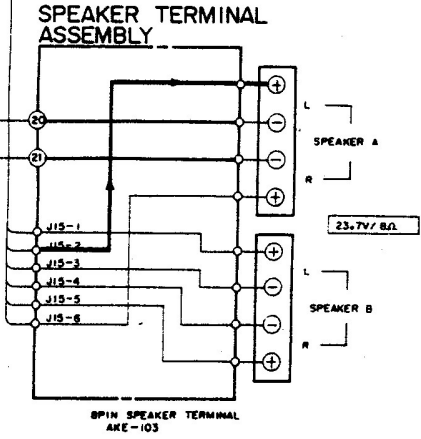
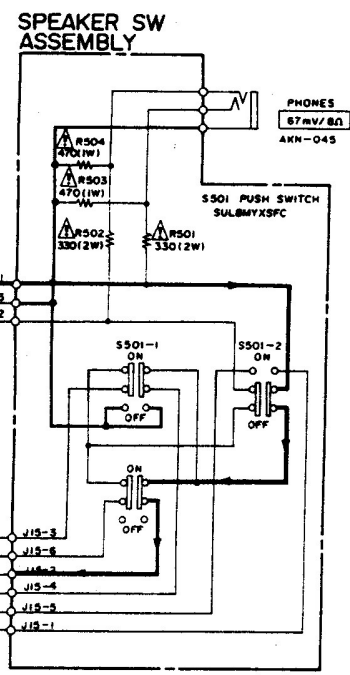


010



4. OTHERS:  
 → Signal route.  
 ⊗ Adjusting point.  
 The **Δ** mark found on some component parts indicates the importance of the safety factor of the part. Therefore, when replacing, be sure to use parts of identical designation.  
 \* marked capacitors and resistors have parts numbers.  
 The underlined indicates the switch position.



5. SWITCHES:  
 S1 POWER (ON, OFF)  
 S501 SPEAKERS (A, B, A+B)  
 S701-1 FUNCTION (PHONE, CD, TAPE1, TUNER)  
 S702-1 ADPT/TAPE 2 (ON, OFF)  
 S702-2 LOUDNESS (ON, OFF)